

## Features

- 27" minimum base cabinet width for under-mount or top-mount installation.
- Single bowl.
- 10" depth.
- Includes one faucet hole on rear deck (three more faucet/accessory holes available for knockout).
- Includes cutout templates.
- Includes K-80049 sink rack.

## Material

- KOHLER® Neoroc® composite is durable and built to withstand day-to-day tasks.
- Matte finish offers rich, dimensional color.
- Solid color throughout the sink.
- Heat resistant up to 750°F.
- Scratch, stain, chip and thermal-shock resistant.

## Installation

- Top-mount or under-mount.

## Recommended Products/Accessories

K-8801 Sink Strainer  
K-9000 P-Trap  
K-8799 Sink Strainer

## Optional Products/Accessories

K-11352 Disposal Flange with Stopper

## Included Components

Additional Components:  
K-80049



## Codes/Standards





CSA B45.5/IAPMO Z124

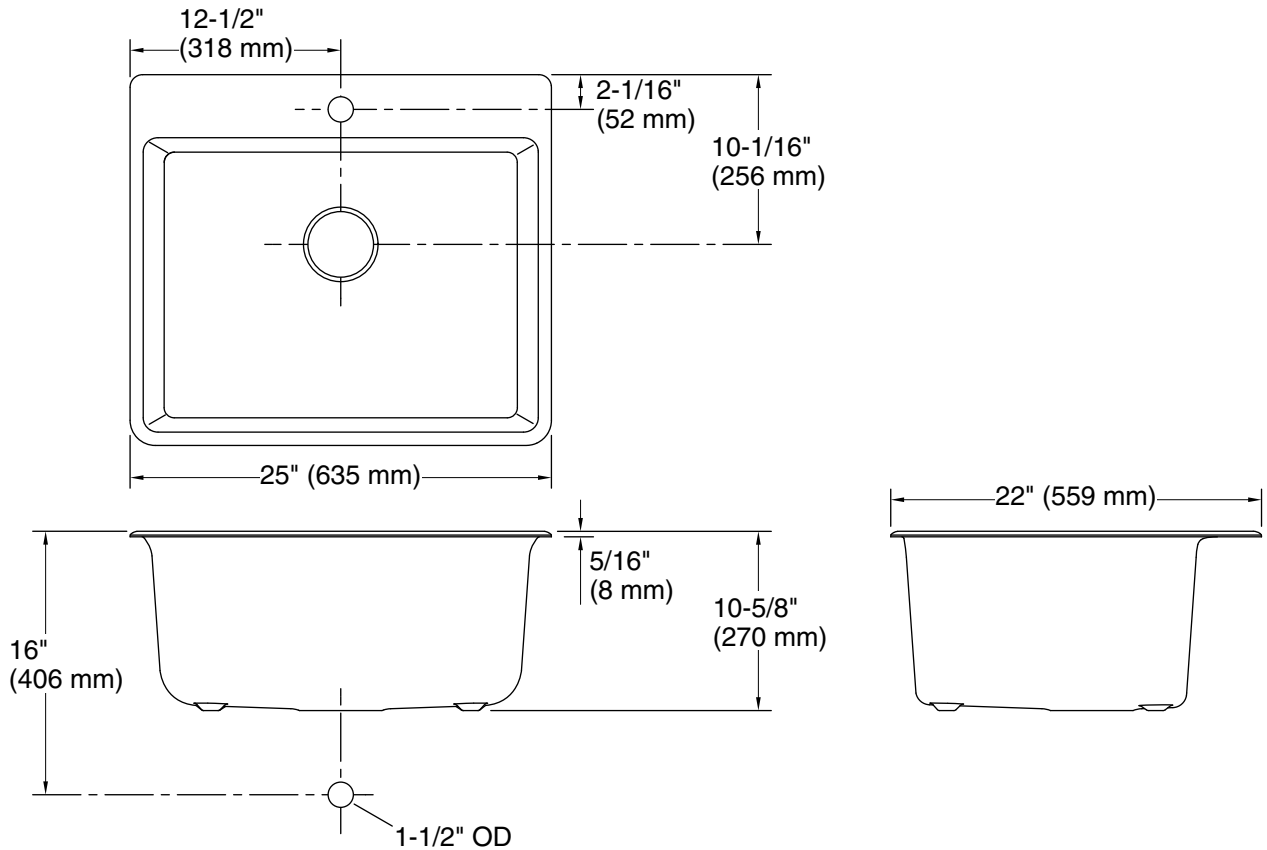
## KOHLER® Neoroc® Sinks Lifetime Limited Warranty

See website for detailed warranty information.

## Available Colors/Finishes

*Color tiles intended for reference only.*

| Color  | Code | Description    |
|--|------|----------------|
|  | CM7  | Matte Graphite |
|  | CM1  | Matte Black    |
|  | CM2  | Matte Brown    |
|  | CM3  | Matte Toupe    |



## Technical Information

All product dimensions are nominal.

|                          |  |
|--------------------------|--|
| Bowl configuration:      | Single   |
| Installation:            | Top-mount, Undermount  |
| Min. base cabinet width: | 27" (686 mm)   |
| Bowl area (Only):        | Length: 16-15/16" (430 mm)<br>Width: 22-1/8" (561 mm)<br>Bowl depth: 10" (254 mm)<br>Water depth: 10" (254 mm) |
| Number of deck holes:    | 1  |
| Drain hole:              | 3-7/8" (98 mm)   |
| Template:                | 1354775-7, required, included  |

## Notes

Install this product according to the installation instructions.

**NOTICE:** Countertop manufacturer or cutter must use the cut-out template provided with the product, or a current one provided by Kohler Co. (call 1-800-4-KOHLER). Kohler Co. is not responsible for cutout errors when the incorrect cut-out template is used.